

Electric motors

1ACV Series

Asynchronous motors optimized for converter (VFD) operation

Powerful, efficient and flexible...

Technical catalogue



Quality management and certificates



VYBO Electric is a modern High-tech energy saving company that pays high attention to quality, environment, safety and precision and efficiency of work and energy in production. Therefore, it holds a lot of certificates and quality control systems. **Our priority is quality control.**

Basic certificates include:

ISO9001

The primary task of the ISO 9001 standard is to focus on system management and quality management in the organization. The satisfaction of the customer and the fulfillment of his requirements, which are specified in contracts, orders, or technical drawings, are in the first place. The quality management system is linked to all processes in the company. The standard focuses on the management of human and financial resources, on the stability of infrastructure, including buildings, transport, hardware, software and other communication or information technologies. An important part is also the planning of production and services, the management of the purchasing process, but also the management of non-conforming products.



ISO14001

The main priority of the ISO 14001 standard is to identify and understand the environmental aspects and activities that are related to the entire infrastructure of the company and, based on this, to regulate the environmental impact on the environment.

In its scope, the ISO 14001 standard creates the conditions for determining environmental goals and plans, the fulfillment of which is examined at regular intervals by top management and also by an independent body during internal audits.

This standard is intended for all organizations and companies that consider environmental protection as their primary goal.

The benefit of the standard for society is mainly:

- control over the environmental impact on the environment
- control over produced emissions and waste
- saving material and energy
- prevention of accidents
- compliance of the company's activities with legal requirements
- zero fines for environmental behavior
- creation of a good reputation and prestige of the company



The ISO 45001

Specification (formerly known as OHSAS 18001) is an internationally recognized standard that declares compliance with the principles of a safe enterprise, managing risks at work and protecting the health of workers during work. It does not only concern danger and accidents, but also emphasizes other aspects such as the good condition and mental well-being of the employee.

The certificate is held in Slovakia as STN ISO 45001:2019 and is under the title Management systems of safety and health protection at work. Requirements with guidance for use. It replaces the STN OHSAS 18001 standard.



ISO50001

Energy management systems Energy efficiency help organizations save money, save energy resources and also help to prevent climate change. ISO 50001 encourages organizations in all sectors to use energy more efficiently through the development of an energy management system. The international standard ISO 50001: 2011 specifies the requirements for building, maintaining and improving the energy system. It aims to enable organizations to implement a systematic approach that will help achieve lasting improvements in energy efficiency, energy use and consumption.



Technical data 1ACV - 4 Poles 50 Hz

Model	Rate Output	Rated Current	Rated Torque	Max. overload (time)	Frequency range at constant Torque	Frequency range at constant output	Moment of Inertia	Wt.
	kW	A	N.m		Hz	Hz		
1ACV-112S-4A	7,5	15	47,75	2,3	5-50	50-100	0,037	
1ACV-112M-4A	11	22,5	70	2,3			0,047	
1ACV-132C-4A	15	30	95,5	2,4			0,06	
1ACV-132S-4A	18,5	37,5	117,8	2,7			0,073	
1ACV-132M-4A	22	44	140	2,4			0,147	
1ACV-132L-4A	37	59	191	2,3			0,179	
1ACV-132P-4A	37	72	235	2,3			0,205	
1ACV-160S-4A	37	68	235,5	2,5			0,2145	250
1ACV-160M-4A	45	81,7	286,5	2,5			0,2594	270
1ACV-160L-4A	55	99	350	2,4			0,3033	300
1ACV-160P1-4A	65	118	413,8	2,8			0,3492	310
1ACV-160P2-4A	75	136	477,5	2,6			0,3492	310
1ACV-180C-4A	75	136	477,5	3			0,706	390
1ACV-180S2-4A	90	162	573	2,8			0,706	395
1ACV-180M-4A	110	197	700	2,8			0,8294	430
1ACV-180L-4A	132	236	840,4	2,6			0,9513	470
1ACV-180P-4A	150	270	955	2,8			1,0734	510
1ACV-200S-4A	160	281	1018,7	3			1,438	610
1ACV-200M-4A	180	315	1146	3			1,684	660
1ACV-200L-4A	200	350	1273	2,8			1,878	710
1ACV-200P-4A	220	389	1400	3	2,007	750		
1ACV-225L-4A	200	355	1273	2,4	2,276	790		
1ACV-225P-4A	220	404	1400	2,5	2,569	860		
1ACV-225X-4A	250	442	1591	2,5	2,908	860		
1ACV-225X2-4A	280	480	1782	2,4	2,908	900		
1ACV-280S-4A	315	576	2005,5	2,6	4,767	1360		
1ACV-280S2-4A	355	610	2260	2,4	4,767	1360		
1ACV-280M-4A	400	688	2546	2,6	5,516	1460		
1ACV-280L-4A	450	769	2865	2,6	6,275	1560		
1ACV-280P-4A	500	856	3183	2,6	6,924	1660		
1ACV-280X-4A	560	964	3565	2,8	7,675	1760		
1ACV-355S-4A	630	1628	4011	3	16,24	2970		
1ACV-355M-4A	710	1695	4520	2,8	18,93	3120		
1ACV-355L-4A	800	1781	5093	2,6	21,54	3270		



Technical data 1ACV - 6 Poles 50 Hz

Model	Rate Output	Rated Current	Rated Torque	Max. overload (time)	Frequency range at constant Torque	Frequency range at constant output	Moment of Inertia	Wt.
	kW	A	N.m		Hz	Hz	kg.m ²	kg
1ACV-160S-6B	25	48	238,7	2,5	5-50	50-100	0,3073	220
1ACV-160M-6B	30	58,2	286,5	2,8			0,3723	240
1ACV-160L-6B	37	70	353	2,57			0,4373	260
1ACV-160P1-6B	45	88	430	3,1			0,5023	300
1ACV-160P2-6B	55	105	525	2,57			0,5023	300
1ACV-180S1-6B	65	123	620,7	2,6			0,923	380
1ACV-180S2-6B	75	141,8	716	2,27			0,923	380
1ACV-180M-6B	80	151	764	2,5			1,0837	420
1ACV-180L-6B	90	170	859,5	2,7		1,2443	460	
1ACV-180P-6B	110	206	1050,5	2,5		1,4064	510	
1ACV-225S-6B	132	245	1260,6	2,17		2,0718	520	
1ACV-225M-6B	160	298	1528	1,9		2,432	590	
1ACV-225L-6B	180	333	1719	2,1		2,784	760	
1ACV-225P-6B	200	372	1910	2,3		3,1488	830	
1ACV-225PX-6B	220	408	2101	2,5		3,5664	850	
1ACV-225X-6B	250	462	2387,5	2,2		3,5664	900	
1ACV-280S-6B	280	509	2674	2,2	6,4045	1270		
1ACV-280M-6B	315	570	3008	2,1	7,4121	1390		
1ACV-280L-6B	355	646	3390	2	8,3897	1510		
1ACV-280P-6B	400	722	3820	2,1	9,3019	1630		
1ACV-280X-6B	450	812	4297,5	1,98	10,314	1700		
1ACV-355S-6B	560	1025	5348	2,7	19,676	2870		
1ACV-355M-6B	630	1135	6016,5	2,5	22,93	3020		
1ACV-355L-6B	710	1274	6780,5	2,4	26,19	3170		
1ACV-400S-6B	800	*829	7640	2,3	34,32			
1ACV-400M-6B	900	*927	8595	2,2	39,72			
1ACV-400L-6B	1000	*1028	9550	2,3	45,14			
1ACV-400P-6B	1100	*1130	10505	2	47,86			
1ACV-400X-6B	1250	*1284	11937	2	50,58			



Technical data 1ACV - 8 Poles 25 Hz

Model	Rate Output	Rated Current	Rated Torque	Max. overload (time)	Frequency range at constant Torque	Frequency range at constant output	Moment of Inertia	Wt.
	kW	A	N.m		Hz	Hz	kg.m ²	kg
1ACV-160S-4C	15	30	191	2,8	5-25	25-67	0,2145	250
1ACV-160M-4C	18,5	38	235	2,8			0,2594	270
1ACV-160L-4C	22	45	280	2,9			0,3033	300
1ACV-160P-4C	30	61	382	2,9			0,3492	310
1ACV-180S-4C	37	75	471	3,1			0,706	395
1ACV-180M-4C	45	91	573	3			0,8294	430
1ACV-180L-4C	55	111	700	3,1			0,9513	470
1ACV-180P-4C	65	131	827	3,1			1,0734	510
1ACV-200S-4C	75	150	955	3			1,438	610
1ACV-200M-4C	90	181	1146	3			1,684	660
1ACV-200L-4C	100	201	1273	3			1,878	710
1ACV-200P-4C	110	220	1400	3,1			2,007	750
1ACV-225X-4C	132	264	1655	3,1			2,908	860
1ACV-280S-4C	160	320	2037	3,1			4,767	1360
1ACV-280M-4C	180	360	2292	3,1			5,516	1460
1ACV-280L-4C	200	397	2546	3			6,275	1560
1ACV-280P-4C	220	436	2801	3,2			6,924	1660
1ACV-280X-4C	250	495	3183	3,1			7,675	1960
1ACV-355S-4C	280	557	3565	3,2			16,24	2970
1ACV-355M-4C	315	626	4011	3,1			18,93	3120
1ACV-355L-4C	355	705	4520	3,2			21,54	3270



Technical data 1ACV - 10 Poles 30 Hz

Model	Rate Output	Rated Current	Rated Torque	Max. overload (time)	Frequency range at constant Torque	Frequency range at constant output	Moment of Inertia	Wt.
	kW	A	N.m		Hz	Hz	kg.m2	kg
1ACV-160S-6D	11	15	175	2,8	5-30	30-100	0,3073	240
1ACV-160M-6D	15	22	238	2,8			0,3723	260
1ACV-160L-6D	18,5	31	294	2,9			0,4373	280
1ACV-160P-6D	22	38	350	2,9			0,5023	330
1ACV-180S-6D	30	61	477	3			0,923	420
1ACV-180M-6D	37	75	588	2,9			1,0837	460
1ACV-180L-6D	45	92	716	3			1,2443	510
1ACV-180P-6D	55	111	875	3			1,4064	560
1ACV-225S-6D	55	111	875	2,9			2,0718	580
1ACV-225M-6D	75	152	1193	2,8			2,432	700
1ACV-225L-6D	90	182	1432	2,9			2,784	840
1ACV-225P-6D	110	222	1750	3			3,1488	900
1ACV-225X-6D	132	267	2101	3			3,5664	980
1ACV-280S-6D	132	266	2101	3,1			6,4045	1400
1ACV-280M-6D	160	323	2546	3,1			7,4121	1600
1ACV-280L-6D	180	362	2865	3			8,3897	1750
1ACV-280P-6D	200	403	3183	3,1			9,3019	1850
1ACV-280X-6D	220	447	3501	3			10,314	1950
1ACV-355S-6D	280	563	4456	3,1			19,676	2870
1ACV-355M-6D	315	634	5013	3			22,93	3020
1ACV-355L-6D	355	714	5650	3,1	26,19	3170		



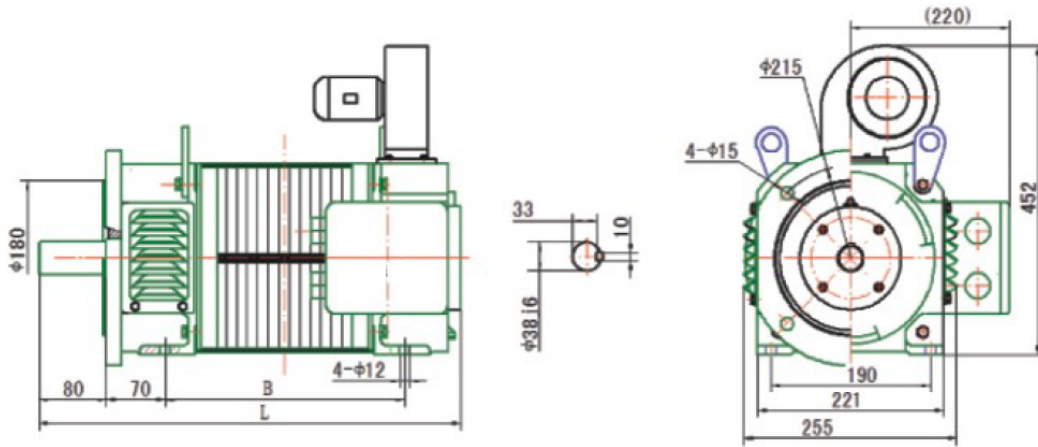
Technical data 1ACV - 12 Poles 25 Hz

Model	Rate Output	Rated Current	Rated Torque	Max. overload (time)	Frequency range at constant Torque	Frequency range at constant output	Moment of Inertia	Wt.
	kW	A	N.m		Hz	Hz	kg.m2	kg
1ACV-160S-6E	7,5	16	175	2,7	5-25	25-100	0,3073	240
1ACV-160M-6E	11	23	238	2,7			0,3723	260
1ACV-160L-6E	15	32	294	2,8			0,4373	280
1ACV-160P-6E	18,5	39	350	2,8			0,5023	330
1ACV-180S-6E	22	46	477	2,9			0,923	420
1ACV-180M-6E	30	62	588	2,8			1,0837	460
1ACV-180L-6E	37	76	716	2,9			1,2443	510
1ACV-180P-6E	45	93	875	2,9			1,4064	560
1ACV-225S-6E	45	92	875	2,8			2,0718	580
1ACV-225M-6E	55	113	1193	2,7			2,432	700
1ACV-225L-6E	75	154	1432	2,8			2,784	840
1ACV-225P-6E	90	185	1750	2,9			3,1488	900
1ACV-225X-6E	110	225	2101	2,9			3,5664	980
1ACV-280S-6E	110	224	2101	3			6,4045	1400
1ACV-280M-6E	132	270	2546	3,1			7,4121	1600
1ACV-280L-6E	160	327	2865	3			8,3897	1750
1ACV-280P-6E	180	367	3183	2,9			9,3019	1850
1ACV-280X-6E	200	408	3501	3			10,314	1950
1ACV-355S-6E	250	510	4456	2,9			19,676	2870
1ACV-355M-6E	280	570	5013	2,9			22,93	3020
1ACV-355L-6E	315	642	5650	3			26,19	3170



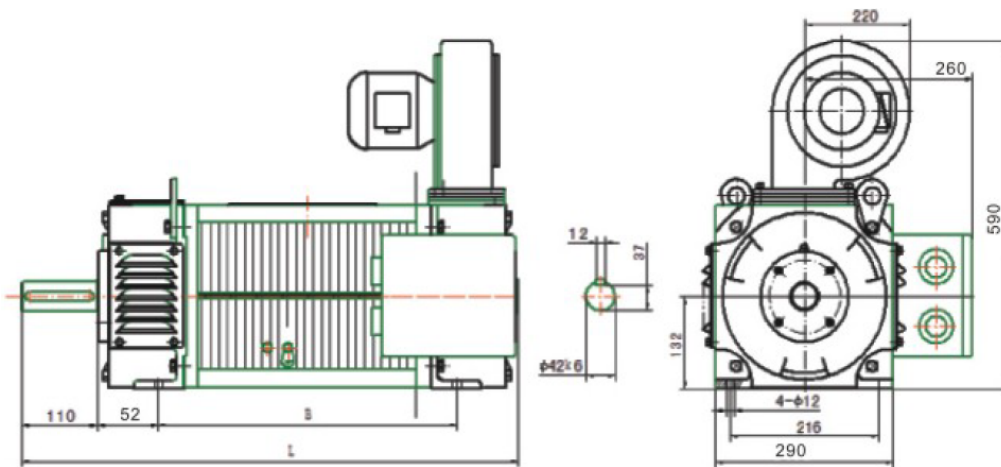
Mounting and outline dimensions

1ACV112



Model	B	L
1ACV-112S	264	500
1ACV-112M	304	540
1ACV-112L	354	590
1ACV-112P	414	640

1ACV132

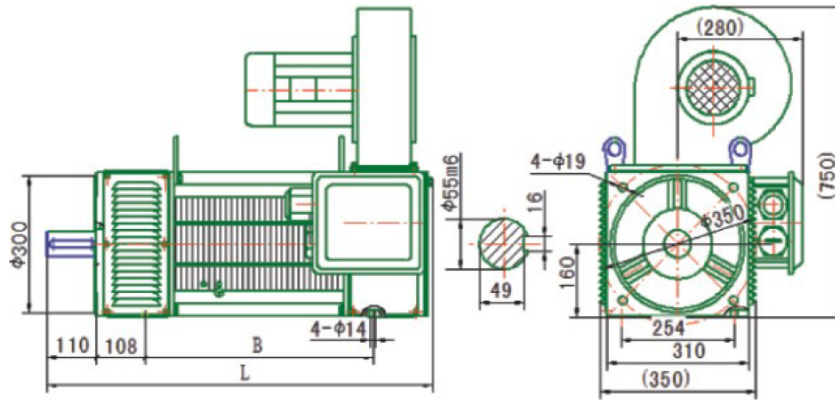


Model	B	L
1ACV-132C	242	465
1ACV-132S	272	495
1ACV-132M	302	525
1ACV-132L	362	585
1ACV-132P	422	645



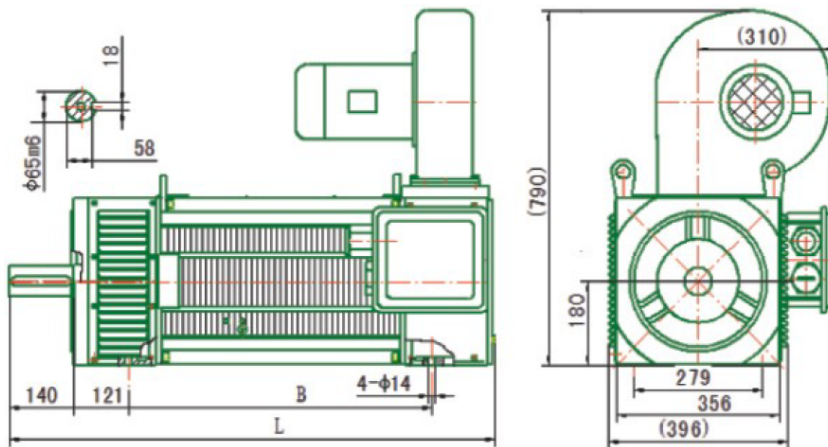
Mounting and outline dimensions

1ACV160



Model	B	L
1ACV-160S	360	720
1ACV-160M	410	760
1ACV-160L	460	810
1ACV-160P	510	860

1ACV180

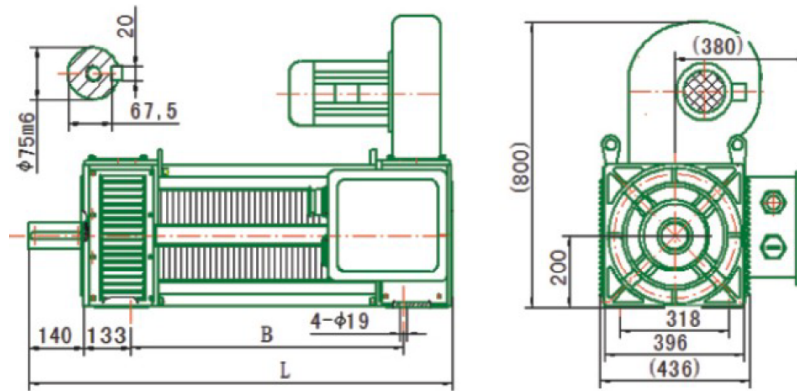


Model	B	L
1ACV-180C	420	840
1ACV-180S	480	900
1ACV-180M	540	1020
1ACV-180L	600	1080
1ACV-180P	660	1080



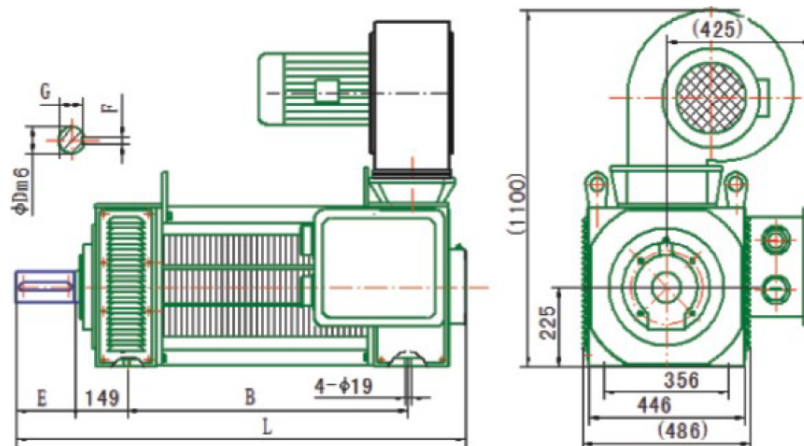
Mounting and outline dimensions

1ACV200



Model	B	L
1ACV-200S	620	1050
1ACV-200M	680	1110
1ACV-200L	740	1170
1ACV-200P	780	1210

1ACV225

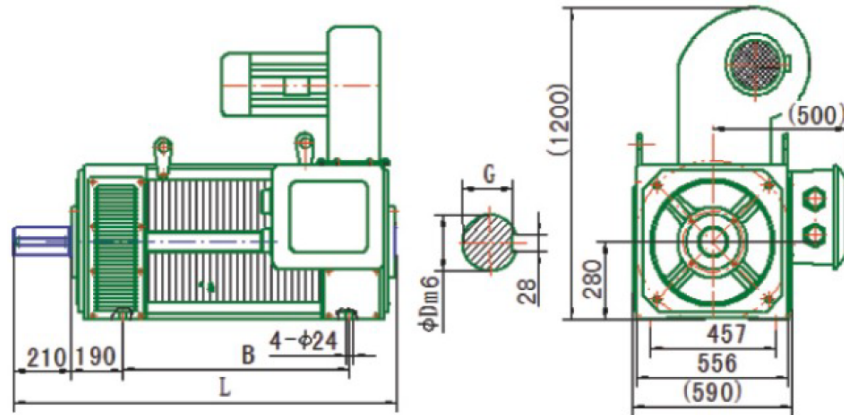


Model	B	D	E	F	G	L
1ACV-225S	555	75	140	20	67,5	1060
1ACV-225M	615	75	140	20	67,5	1130
1ACV-225L	675	75	140	20	67,5	1190
1ACV-225P	735	85	170	22	76	1250
1ACV-225X	805	85	170	22	76	1320



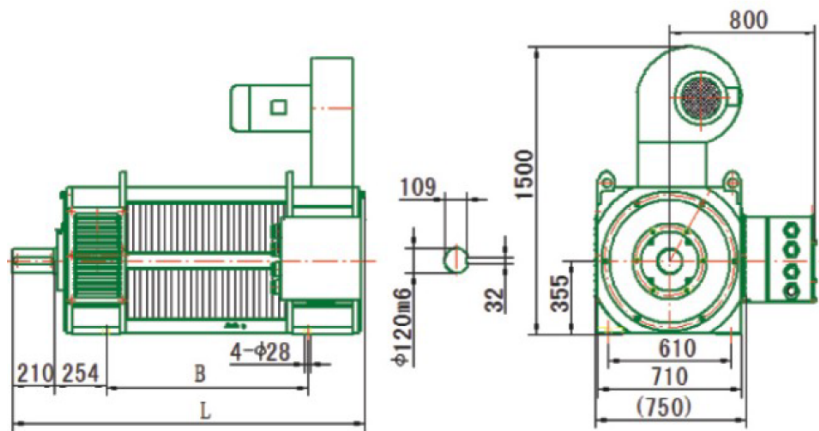
Mounting and outline dimensions

1ACV280



Model	B	D	G	F	L
1ACV-280S	686	100	90	28	1320
1ACV-280M	756	100	90	28	1390
1ACV-280L	826	100	90	28	1450
1ACV-280P	886	110	100	28	1520
1ACV-280X	956	110	100	28	1590

1ACV355

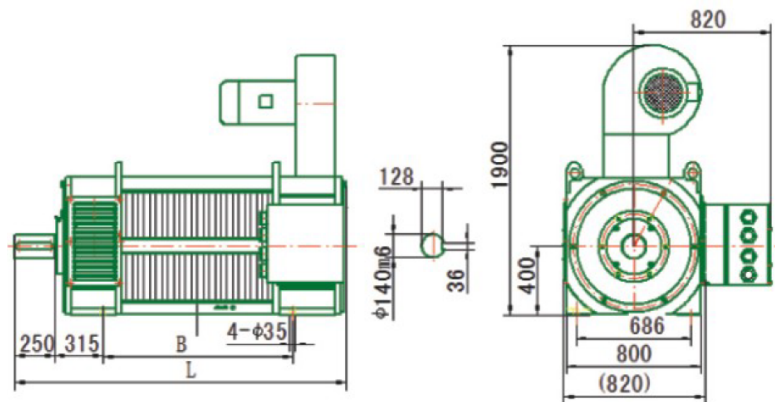


Model	B	L
1ACV-355S	800	1600
1ACV-355M	900	1700
1ACV-355L	1000	1800



Mounting and outline dimensions

1ACV400



Model	B	L
1ACV-400S	920	1810
1ACV-400M	1020	1910
1ACV-400L	1120	2010
1ACV-400P	1220	2110





Address

VYBO ELECTRIC a. s. | tel: +421 944 105 361
Radlinského 18 | e-mail: mv@vyboelectric.eu
052 01 Spišská Nová Ves
Slovenská republika

www.vyboelectric.com



SOLUTIONS FOR INDUSTRY

BUREAU VERITAS
Certification



VYBO Electric a.s.
Radlinského 18, 052 01 Spišská Nová Ves
Slovak Republic

Bureau Veritas Certification Holding SAS – UK Branch certifies that the Management System of the above organisation has been audited and found to be in accordance with the requirements of the management system standards detailed below

ISO 14001: 2015

Scope of certification

MANUFACTURE AND SALE OF ELECTRIC MOTORS. SALES AND DEVELOPMENT OF VARIABLE FREQUENCY DRIVES.

Original cycle start date: 18.05.2022
Expiry date of previous cycle: N/A
Certification Audit date: 31.03.2022
Certification cycle start date: 18.05.2022

Subject to the continued satisfactory operation of the organization's Management System, this certificate expires on: 17.05.2025

Certificate No. SK-U22 055E Version: 1 Issue date: 18.05.2022

Certification body address: 5th Floor, 66 Prescot Street, London E1 8HQ, United Kingdom
Local office: Plynárenská 7/B, BRATISLAVA 821 09, Slovak Republic



Further clarifications regarding the scope of this certificate and the applicability of the management system requirements may be obtained by consulting the organisation. To check this certificate validity please call: +421 2 5341 4165

Page 1 of 1



Bureau Veritas Certification

Certificate

Awarded to

VYBO Electric a.s.
Radlinského 18, 052 01 Spišská Nová Ves
Slovak Republic

BUREAU VERITAS CERTIFICATION (Z) s.r.o. certifies that the Management System of the above organisation has been assessed and found to be in accordance with the requirements of the management system standard detailed below

Standard
ISO 45001:2018

Scope of supply

MANUFACTURE AND SALE OF ELECTRIC MOTORS. SALES AND DEVELOPMENT OF VARIABLE FREQUENCY DRIVES.

Original Approval Date: 18-05-2022
Expiry date of previous cycle: N/A
Certification Cycle Start Date: 18-05-2022
Certification Cycle End Date: 17-05-2025
Subject to the continued satisfactory operation of the organisation's Management System, this certificate is valid until: 17-05-2025

To check this certificate validity please call: +420 210 098 215

Further clarifications regarding the scope of this certificate and the applicability of the management system requirements may be obtained by consulting the organisation.

Version 1 Issue Date: 18-05-2022
Certificate Number: CZF - 2200117

ISSUING OFFICE ADDRESS: BUREAU VERITAS CERTIFICATION (Z) s.r.o., Obilského 1, 143 02 Praha 4, Czech Republic

11

ZERTIFIKAT ◆ CERTIFICATE ◆ 認證證書 ◆ CERTIFICADO ◆ CERTIFICAT



CERTIFICATE

TÜV SÜD Slovakia s.r.o.
Certification Body for Management Systems
Accredited by SNAS
Certificate on accreditation No. Q-011
certifies that



VYBO Electric a.s.
Radlinského 18
SK – 052 01 Spišská Nová Ves
IČO: 45 537 143

has established and applies
a Quality Management System for

**Manufacture and sale of electric motors.
Sales and development of variable frequency drives.**

An audit was performed, Report No. 2264/40/22/Q/AS/C
Proof has been furnished that the requirements
according to

STN EN ISO 9001:2016

are fulfilled. The certificate is valid from 2022-04-14 until 2025-04-13
Certificate Registration No. Q 2264-1

Bratislava, 2022-04-14

TÜV SÜD Slovakia s.r.o.
Certification Body for Management Systems
Member of Group TÜV SÜD
Jaskóva 6, 821 03 Bratislava

F-Q-019/26

Certificate SK22/3701

The management system of

VYBO Electric a.s.
Radlinského 18
052 01 Spišská Nová Ves, Slovakia

has been assessed and certified as meeting the requirements of

EN ISO 50001:2018

For the following activities

**Production & sales of electric motors.
Sales & development of variable frequency drives.**

Further clarifications regarding the scope of this certificate and the applicability of EN ISO 50001:2018 requirements may be obtained by consulting the organisation.

This certificate is valid from 7 April 2022 until 6 April 2025
and remains valid subject to satisfactory surveillance audits.
Recertification audit due a minimum of 60 days
before the expiration date.
Issue 1. Certified with SGS since 7 April 2022

Authorised by

Ing. Róbert Bodnár
Director

SGS Slovakia spol. s r. o.
Klyučká 14, 040 11 Košice, Slovakia
t +421 55 783 61 11, f +421 55 783 61 20, www.sgs.com

Page 1 of 1



This document is issued by the Company subject to its General Conditions of Certification. Services accessible at www.sgs.com and conditions. Attention is drawn to the limitations of liability, indemnification and jurisdictional issues established therein. The authenticity of this document may be verified at <http://www.sgs.com/certificates/certificate>. Any unauthorized alteration, forgery or falsification of the content or appearance of this document is unlawful and offences may be prosecuted to the fullest extent of the law.